

SPACE HEATER

THE KEY TO THERMAL AND PROCESS HEATING



Space heaters provide heat source for air heating to maintain a desired temperature or to provide anti-condensation heating to keep moisture out. The space heaters are used in applications such as electric switch boards or panels, terminal box, instrument cabinets or enclosures.

SPACE HEATER

DFINITI provides two types of space heater to meet the different needs of customers: Constant Power type and Self-regulating (PTC, Positive Temperature Coefficient) type.

Our IECEx certified space heaters come with different wattage and optimised dimensions that offer cost-effective solutions for customers in varying industries.

Technical Data

Rating	50W / 100W / 150W / 200W / 300W
Power Supply	Nominal 110V & 220V
Tolerance	+5/ - 10%
Ambient Temperature	-50°C ~+ 60°C
Connections	3C x 1mm, 1ft cable
IP Rating	IP66

Options

- Over-temperature protection for Heater Elements
- External Temperature Switch for Air Temperature

NOTES

Optional for PTC only. Constant Power Space Heater requires external control.

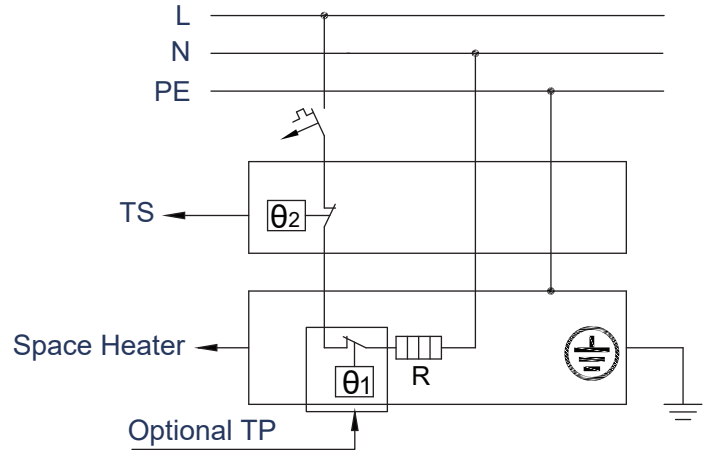
Certificate

Protection Scheme	Certificate Standard
IECEX Ex II G D Ex db mb IIC T3-T4 Gb Ex tb IIIC T135°C ~ T200°C Db	EN/IEC 60079-0 Ed 7 EN/IEC 60079-1 Ed 7 EN/IEC 60079-31 Ed 2 EN/IEC 60079-18:2014

Materials

- Heating Unit - Stainless steel / PTC
- Sealants - Silicone
- Cable - Cu-Zn silicone
- Heat Sink - Anodized Aluminium (Black)
- Cable Gland - Brass

Wiring Diagram

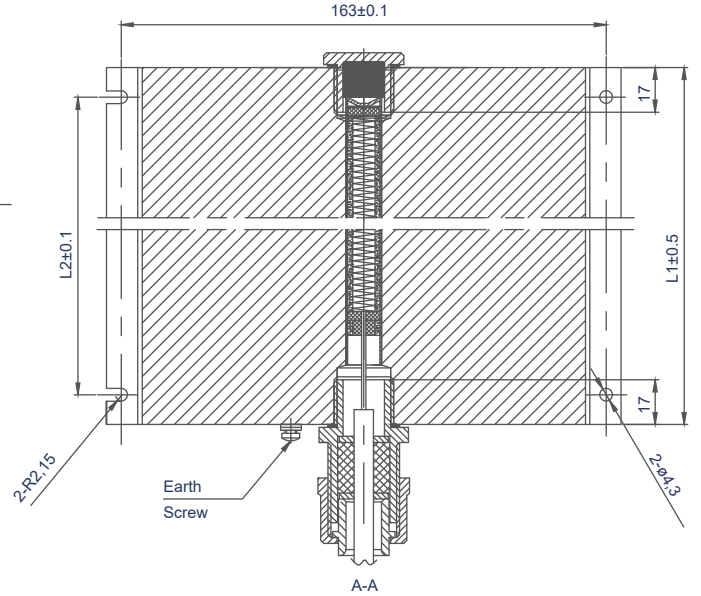
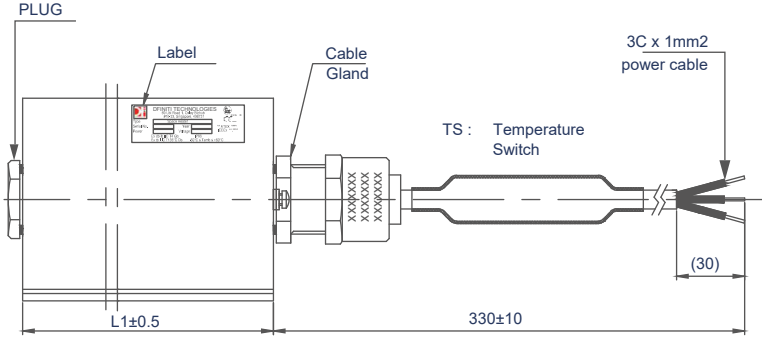
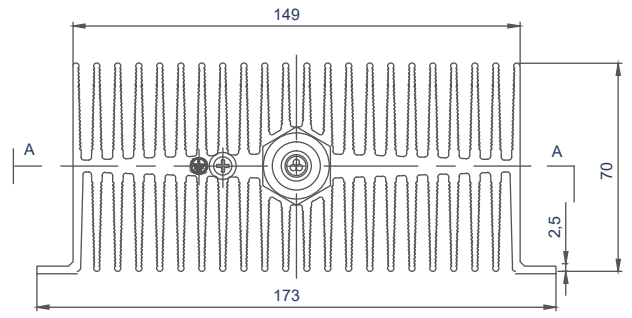


Constant Power Series

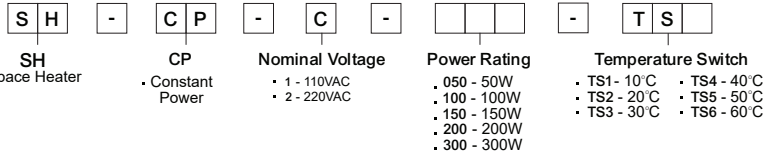
This series of space heaters provides constant power and fixed output when switched on. Constant power space heaters are available in T3 and T4.

- IECEX Ex II G D
- Ex db mb IIC T3 ~ T4 Gb
- Ex tb IIIC T135°C ~ T200°C Db
- IP66

Model	Rating (W)	L1 (MM)	L2 (MM)	Weight (Kg)	T-Class	Temperature Switch (TS)
SH-CP-X-050	50	100	80	1.5	T4	10-60°C
SH-CP-X-100	100	160	140	2.2	T4	
SH-CP-X-150	150	240	220	3.2	T4	
SH-CP-X-200	200	320	300	4.2	T4	
SH-CP-X-200T3	200	220	200	2.9	T3	
SH-CP-X-300T3	300	320	300	4.2	T3	



Product Order Code



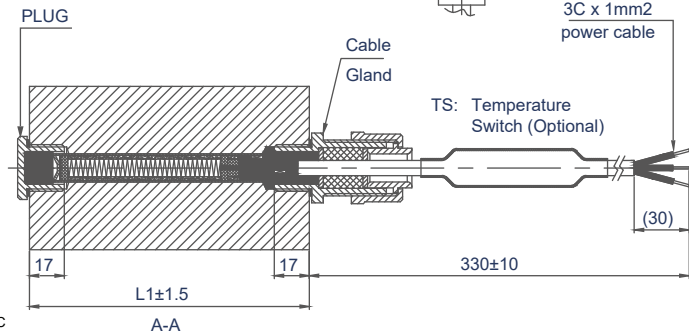
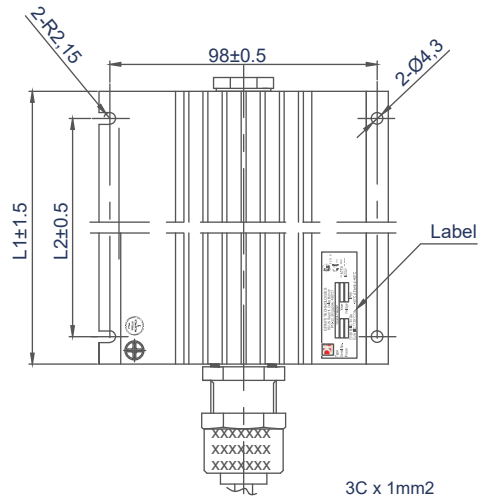
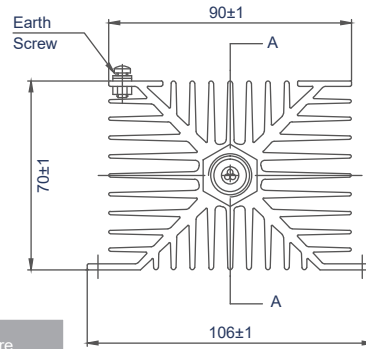
Self-Regulating (PTC) Series

This series of space heaters is constructed from PTC material. Power output would be self-regulated with the ambient temperature. It offers ideal solution to anti-consideration heating.

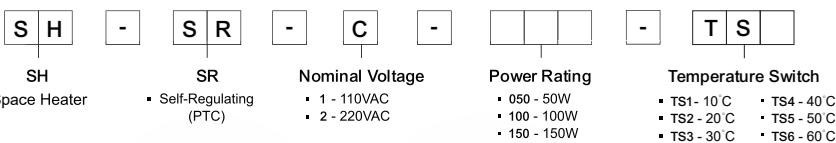
Self-regulating type space heaters are T4 certified to the following scheme:

- IECEX Ex II G D
- Ex tb IIIC T135 C Db
- Ex db mb IIC T4 Gb
- IP66

Model	Rating (W)	L1 (MM)	L2 (MM)	Weight (Kg)	Temperature Switch (TS)
SH-CP-X-050	50	130	110	1.5	10-60°C
SH-CP-X-100	100	215	195	1.8	
SH-CP-X-150	150	320	300	2.6	



Product Order Code



SINGAPORE



MALAYSIA



CHINA



INDIA



UAE

Singapore [Office]

7030 Ang Mo Kio Avenue 5,
Northstar #08-65,
Singapore, 569980
RCB No: 201539578M

Malaysia [Factory]

No. 31, Jalan Gemilang 6, Taman
Perindustrian Cemerlang, 81800
Ulu Tiram, Johor, Malaysia
Reg No: 1202241-W



sales@dfiniti-t.com



www.dfiniti-t.com



Dfiniti Technologies



T +65-6908 0869 | F +65-6282 0218

