



SPACE HEATER

Space heaters provide heat source for air heating to maintain a desired temperature or to provide anti-condensation heating to keep moisture out. The space heaters are used in applications such as electric switch boards or panels, terminal box, instrument cabinets or enclosures.

DFINITI provides two types of space heater to meet the different needs of customers: **Constant Power** type and **Self-regulating** (PTC, Positive Temperature Coefficient) type.

Our IECEx certified space heaters come with different wattage and optimised dimensions that offer cost-effective solutions to customers in varying industries.

TECHNICAL DATA

Rating

Rating: 50W / 100W / 150W / 200W / 300W

Tolerance

+5/-10%

Power Supply

Nominal 110V & 220V

Ambient Temperature

-50°C ~ 60°C

IP Rating

IP66

Connections

3C x 1mm², 1m cable

OPTIONS

- Over-temperature protection for Heater Elements
- External Temperature Switch for Air Temperature

Note: Optional for PTC only. Constant Power Space Heater requires external control.

CERTIFICATE

PROTECTION SCHEME

IECEX
Ex II G D
Ex db mb IIC T3-T4 Gb
Ex tb mb IIIC T135°C ~ T200°C Db

CERTIFICATE STANDARD

EN/IEC 60079-0 Ed 7
EN/IEC 60079-1 Ed 7
EN/IEC 60079-31 Ed 2
EN/IEC 60079-18:2014



MATERIALS

- **Heating Unit**
Stainless Steel / PTC

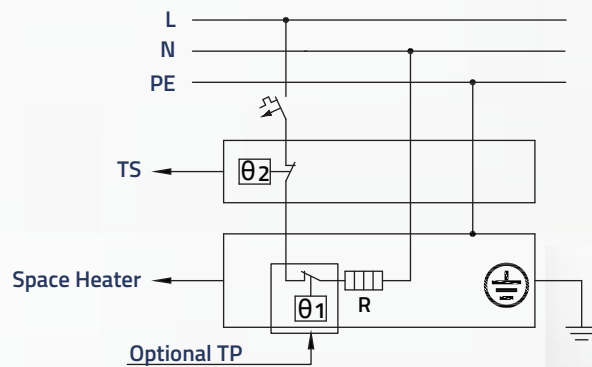
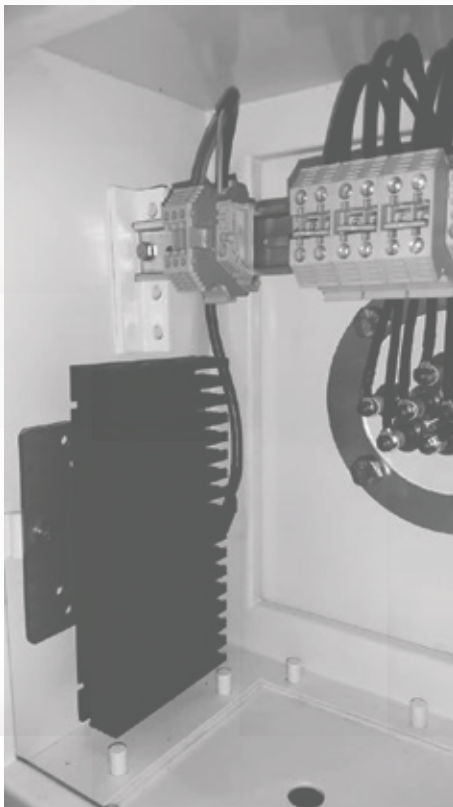
- **Sealants**
Silicone

- **Cable**
Cu-Zn Silicone

- **Heat Sink**
Anodized Aluminium (Black)

- **Cable Gland**
Brass

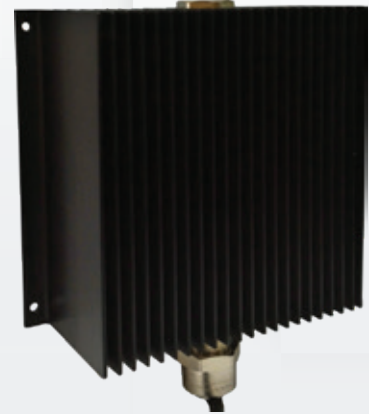
WIRING DIAGRAM



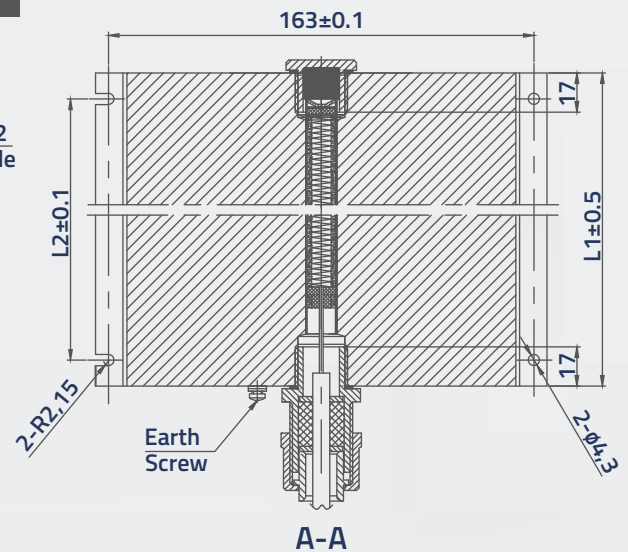
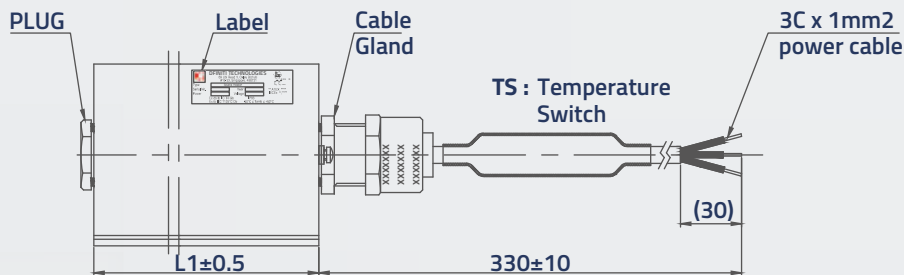
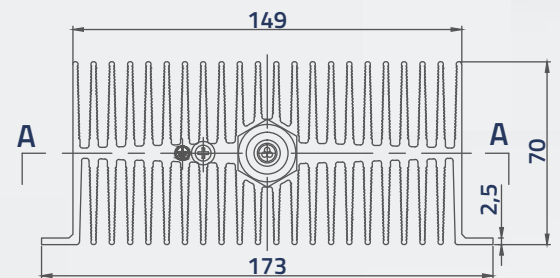
CONSTANT POWER SERIES

This series of space heaters provide constant power and fixed output when switched on. Constant power space heaters are available in T3 and T4.

- IECEx Ex II G D
- Ex db mb IIC T3 ~ T4 Gb
- Ex tb mb IIIC T135°C~T200°C Db
- IP66



MODEL	RATING (W)	L1 (MM)	L2 (MM)	WEIGHT (KG)	T-CLASS	TEMPERATURE SWITCH (TS)
SH-CP-X-050	50	100	80	1.5	T4	10-60°C
SH-CP-X-100	100	160	140	2.2	T4	
SH-CP-X-150	150	240	220	3.2	T4	
SH-CP-X-200	200	320	300	4.2	T4	
SH-CP-X-200T3	200	220	200	2.9	T3	
SH-CP-X-300T3	300	320	300	4.2	T3	



PRODUCT ORDER CODE

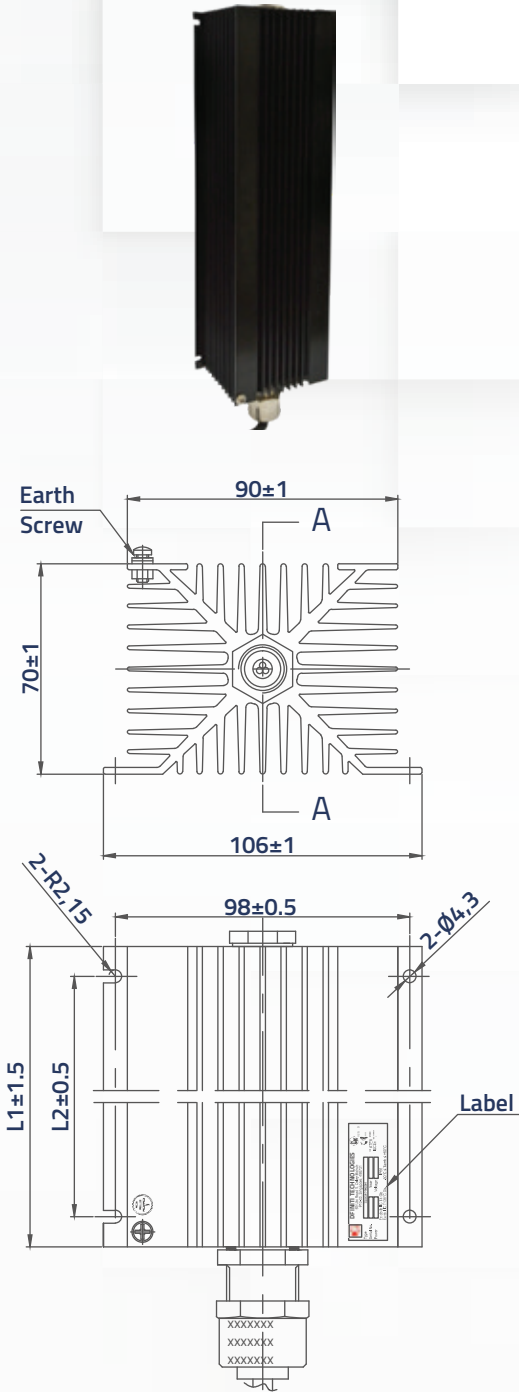
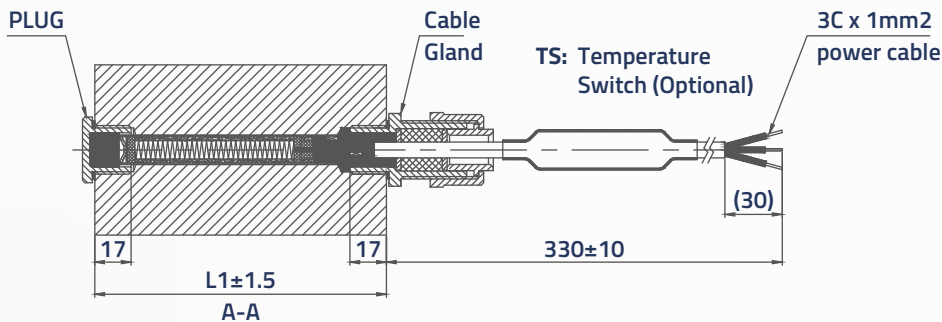
- | | | | | | | | | |
|----------------|---|------------------|---|---------------------|---|---------------------|---|---------------------------|
| S H | - | C P | - | □ | - | □ □ □ | - | T S □ |
| SH | | CP | | | | Power Rating | | Temperature Switch |
| ▪ Space Heater | | ▪ Constant Power | | ▪ 1 – 110VAC | | ▪ 050 – 50W | | ▪ TS1 – 10°C |
| | | | | ▪ 2 – 220VAC | | ▪ 100 – 100W | | ▪ TS2 – 20°C |
| | | | | | | ▪ 150 – 150W | | ▪ TS3 – 30°C |
| | | | | | | ▪ 200 – 200W | | ▪ TS4 – 40°C |
| | | | | | | ▪ 300 – 300W | | ▪ TS5 – 50°C |
| | | | | | | | | ▪ TS6 – 60°C |

SELF-REGULATING (PTC) SERIES

This series of space heaters is constructed from PTC material. Power output would be self-regulated with the ambient temperature. It offers ideal solution to anti-condensation heating. Self-regulating type space heaters are T4 certified to the following scheme:

- IECEx Ex II G D
- Ex db mb IIC T4 Gb
- Ex tb mb IIIC T135°C Db
- IP66

MODEL	RATING (W)	L1 (MM)	L2 (MM)	WEIGHT (KG)	TEMPERATURE SWITCH (TS)-OPTIONAL
SH-SR-X-050	50	130	110	1.2	10-60°C
SH-SR-X-100	100	215	195	1.8	
SH-SR-X-150	150	320	300	2.6	



PRODUCT ORDER CODE

S H	-	S R	-		-		-	T S
SH		SR		Nominal Voltage		Power Rating		Temperature Switch
▪ Space Heater		▪ Self-Regulating (PTC)		▪ 1 – 110VAC ▪ 2 – 220VAC		▪ 050 – 50W ▪ 100 – 100W ▪ 150 – 150W		▪ TS1 – 10°C ▪ TS2 – 20°C ▪ TS3 – 30°C ▪ TS4 – 40°C ▪ TS5 – 50°C ▪ TS6 – 60°C